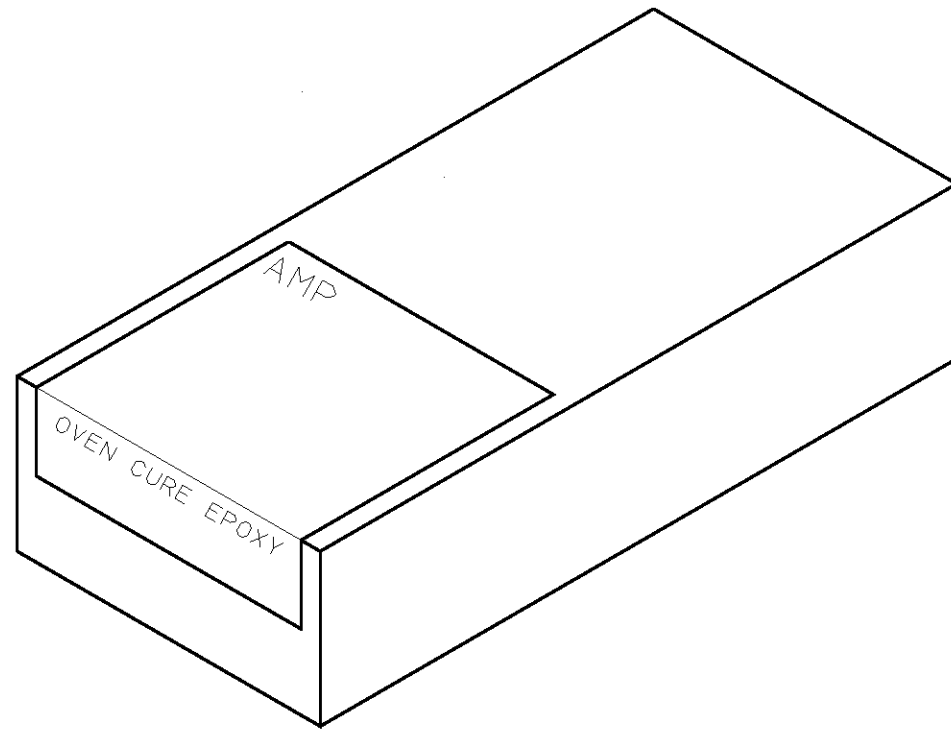


THIS DRAWING IS UNPUBLISHED. RELEASED FOR PUBLICATION, 19 .
 © COPYRIGHT 19 BY AMP INCORPORATED. ALL INTERNATIONAL RIGHTS RESERVED.

LOC	DIST	P	F	ZONE	LTR	REVISIONS	DATE	APPD
CE	00				C	REV PER 0A00-0024-05	17JAN05	KG/DK



1. HYSOL 0151 EPOXY, EPK0151
 - a) ONE 2.54 OZ TUBE OF RESIN.
 - b) ONE .81 OZ TUBE OF HARDENER.
 - c) TWO 4 1/2" LONG WOODEN STICKS.

THIS DRAWING IS A CONTROLLED DOCUMENT FOR AMP INCORPORATED. IT IS SUBJECT TO CHANGE AND THE CONTROLLING ENGINEERING ORGANIZATION SHOULD BE CONTACTED FOR THE LATEST REVISION.

DESCRIPTION		PART NUMBER	
DO NOT SCALE PRINT. UNLESS SPECIFIED DIMENSIONS IN mm [INCHES] TOLERANCES ON: 2 PLC DEC ± - 3 PLC DEC ± - ANGLES ± - MATERIAL - FINISH - WEIGHT -		502418-1 AMP AMP Incorporated Harrisburg, PA 17105-3608 NAME EPOXY ADHESIVE, OPTIMATE SIZE B CAGE CODE 00779 DRAWING NO C-502418 SCALE - SHEET 1 OF 1	